

MUTUAL OPERATIONS**PHYSICAL PROPERTY****Skylights and/or Sola Tubes– Mutual Five****Permit**

Whereas Article 12 of the Occupancy Agreement states that: "The Member shall not, without the written consent of the Corporation, make any structural alterations in the premises. . . ." Therefore, in order to make any structural changes to the building, the shareholder must request permission to remodel the roof of the building in which they reside in order to install skylights or sola tubes.

The Physical Property Department of the Golden Rain Foundation is hereby authorized to: (a.) approve individual requests by shareholders for the installation of skylights and/or Sola tubes in any room, in permanent patio roof extensions and (b.) is authorized to issue a building permit subject to the following conditions:

1. All skylight and Sola tube installations require a permit from the City of Seal Beach and the Physical Property office of Golden Rain Foundation.
2. The contractor performing the work must be a contractor licensed in the State of California as a General Contractor and the work to be performed at the expense of the requesting shareholder.
3. The contract form to be used will be the standard contract form as developed by the Physical Property Department.
4. The construction will conform to the plans and specifications approved by the Mutual Board and the Physical Property Department.
5. Shareholder agrees that title to the remodeling and addition shall vest in the Mutual Corporation. However, the dome remains the responsibility of a homeowner.
6. Skylights with an electric motor: the motor is to be maintained by the shareholder.

Location and Size:

7. A skylight may be placed in any room of a unit when the Mutual Board determines attic space at the place of choice does not inhibit a particular installation. In the kitchen and original bathroom area, a skylight shall not exceed 24" x 24" and the "tunnel" may be flared. In other approved locations the skylights may be up to 36" x 60" and the tunnel may be flared.

MUTUAL OPERATIONS**PHYSICAL PROPERTY****Skylights and/or Sola Tubes– Mutual Five****Number:**

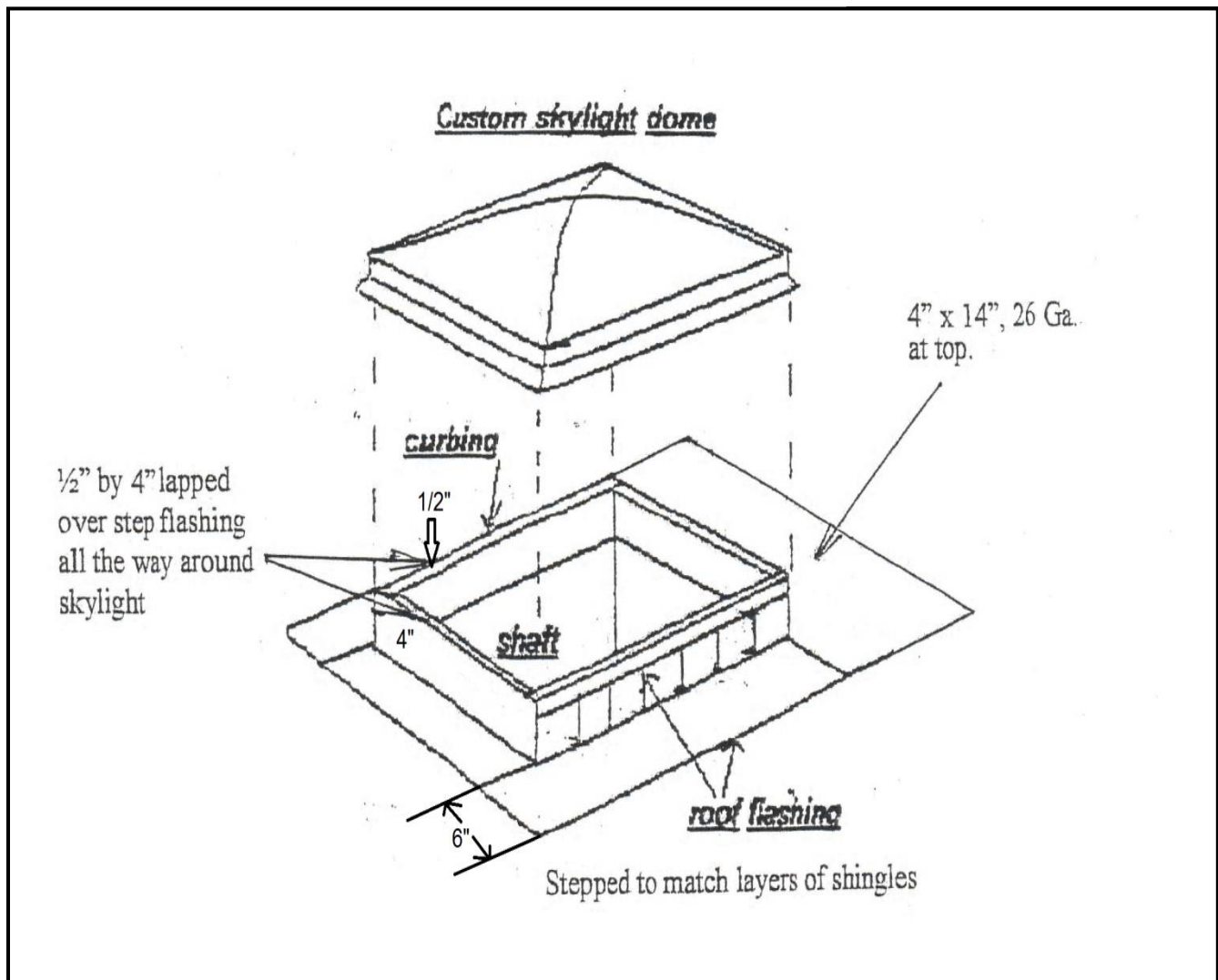
8. Mutual Five permits a maximum of three (3) skylights per two-bedroom unit and a maximum of two (2) skylights in a one bedroom unit. The board may increase the maximum number by Resolution at any Board Meeting, after proper notification, if extenuating circumstances warrant.

SOLA TUBES**Responsibilities:**

9. Whereas Article 11 of the occupancy agreement states that pertaining to the maintenance of the roofs (a) (3) "The member agrees to repair and maintain his dwelling unit at his own expense as follows: any repairs or maintenance of floors and ceiling of the dwelling unit."
10. Skylights and Sola tubes must be installed using the manufacturers specifications and conform to all applicable building codes.
11. During the warranty period, the contractor is responsible for the entire Skylight and Sola tube installation. After the warranty period, the following responsibilities apply:
- a. Mutual: The Mutual is responsible for the curbing and flashing since this will normally be changed when the building is reroofed.
 - b. Shareholder: The shareholder is responsible for the skylight dome, the skylight operating mechanism, the shaft (including painting), and the ceiling grid (**See Diagram 1**).
 - c. Shareholder is responsible for the Sola tube dome and shaft.
 - d. In the event of a roof leak as a result of the Skylight or Sola tube installation, the shareholder shall be responsible for all associated costs to repair and maintain the system, including labor and material costs.
12. Preventive Maintenance: At the time of the fire inspections, the Physical Property Inspector shall identify and provide Service Maintenance with a list of units that have cracked or faulty Skylights or Sola tubes. Maintenance and repairs shall be at the expense of the shareholder.
13. All fasteners at the roof flashing shall be self-sealing screws by use of a rubber grommet and shall have sealant applied over the top of the fastener.

MUTUAL OPERATIONS**PHYSICAL PROPERTY****Skylights and/or Sola Tubes– Mutual Five**

The skylight curbing shall consist of 2" x 6" framing with a minimum 4" rise above roof sheathing and flashing (**See Diagram 1**).



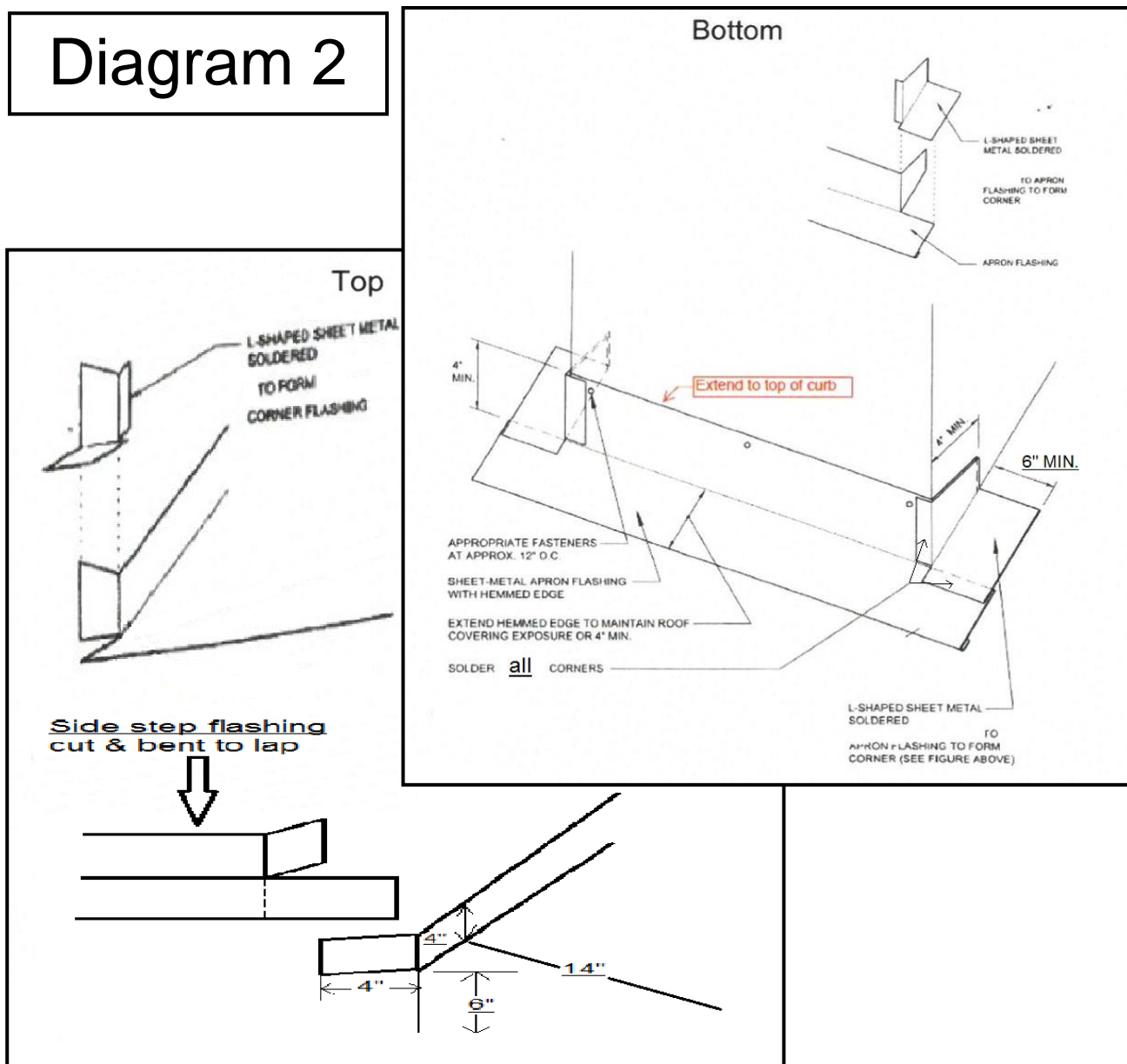
MUTUAL OPERATIONS

PHYSICAL PROPERTY

Skylights and/or Sola Tubes– Mutual Five

Only curb-mounted skylights shall be allowed in the Mutual. Self-flashing skylights are prohibited (See Diagram 2).

Diagram 2



MUTUAL ADOPTION

FIVE: 03-15-17

AMENDMENT(S)

09-19-18